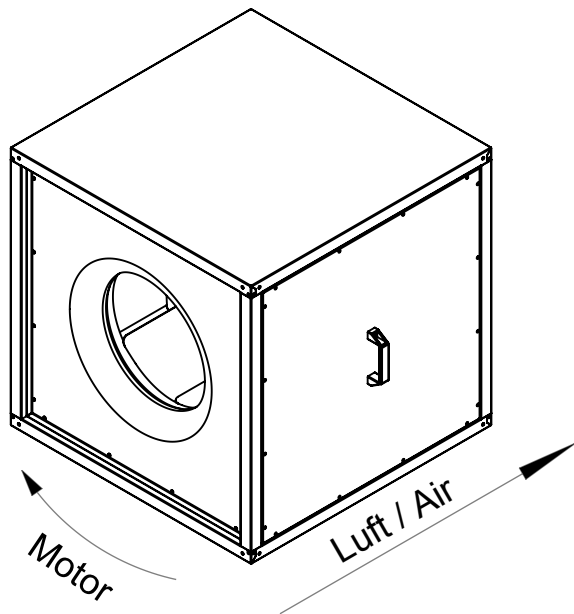
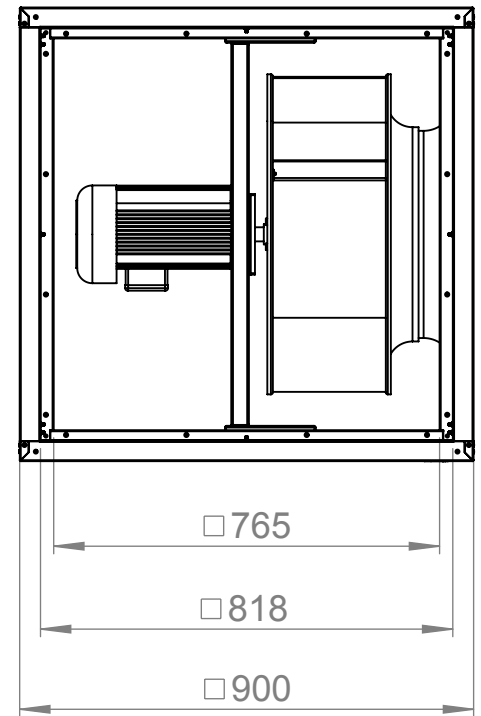


Anschlussmaß innen
min. \varnothing 540
Connection size inside
min \varnothing 540



KUVENT



1:16 A4 mm

Protection Mark
according to ISO16016

General tolerances
DIN ISO 2768-c

KB 630-34

Ventilair Group Belgium
Pieter Verhaeghestraat 8
8520 Kuurne

Drawn:
Created:
Changed:

12.11.13
17.12.10
21.07.16